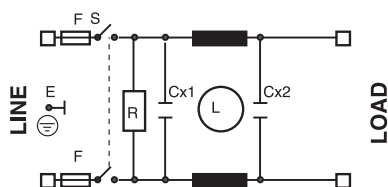




Plug filter with fuse-box and switch, suitable for all electric applications, even for applications with microprocessors.

Filtro con spina portafusibile, interruttore a bascula adatto per tutte le applicazioni elettroniche anche a microprocessore.

Circuit diagram



For medical applications Circuit C

Technical Specifications:

Manufacture

Metal case and line connector with 2 fuses.
 Internal components sealed with self-extinguishing resin Vo

Connections

Faston 6.3 x 0.8mm.

Electrical specifications:

Rated voltage (Vr)	max 250 Vac at 50/60 Hz
Rated current (Ir)*	referred to room temp.= 40°C
Leakage current (IL)	≤ 0,6 mA, circuit C ≤ 0,02mA
Voltage test (2s.)	line to ground 3000 Vdc or 1800 Vac line to line 1700 Vdc
Climatic category	HPF (25/085/21) -25°C to +85°C

Caratteristiche tecniche:

Costruzione

Custodia metallica e presa rete con 2 fusibili. Componenti interni sigillati con resina autoestinguente Vo

Terminali

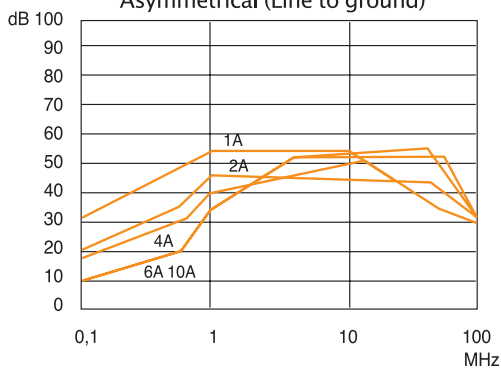
Faston 6.3 x 0.8mm.

Caratteristiche elettriche:

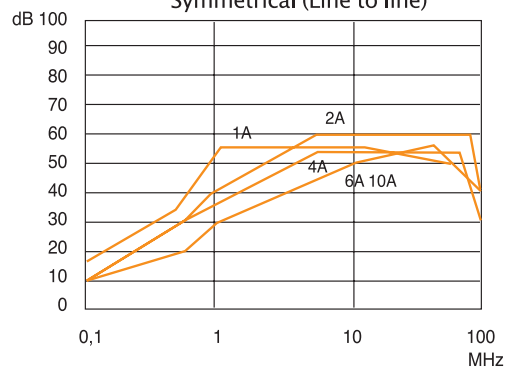
Tensione nominale (Vr)	max 250 Vac at 50/60 Hz
Corrente nominale (Ir)*	riferita ad una temp.di 40°C
Corrente di fuga (IL)	≤ 0,6 mA, circuit C ≤ 0,02mA
Tensione di prova (2s.)	linea e massa 3000 Vdc o 1800 Vac linea e linea 1700 Vdc
Categoria climatica	HPF (25/085/21) -25°C to +85°C

Code	IR(A)*	Cx (µF)	Cy(pF)	L (mH)	R (MΩ)	Circuit
AR10E.2F.1A	1	0.1	-	6	1	C
AR10E.2F.2A	2	0.1	-	2	1	C
AR10E.2F.4A	4	0.1	-	1	1	C
AR10E.2F.6A	6	0.1	-	1	1	C

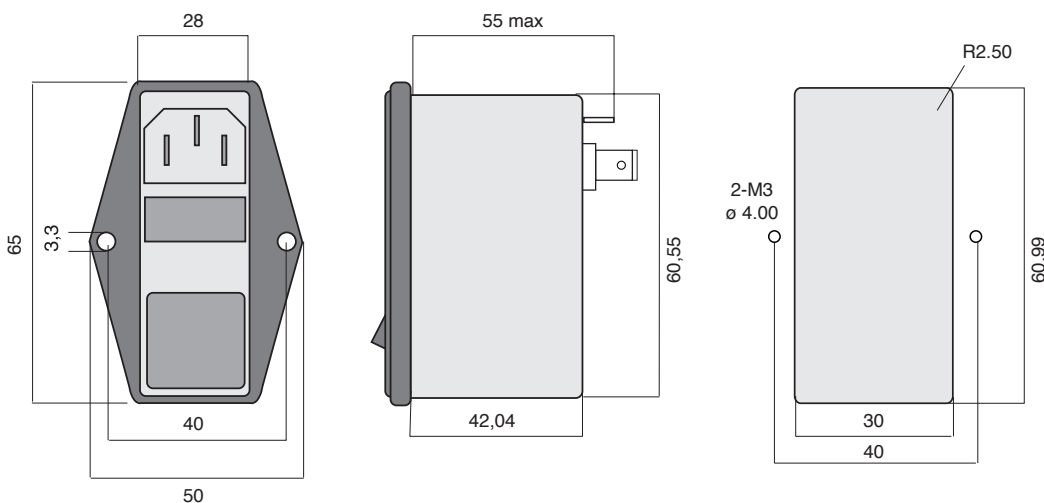
Asymmetrical (Line to ground)



Symmetrical (Line to line)



Dimensions



APPROVALS

